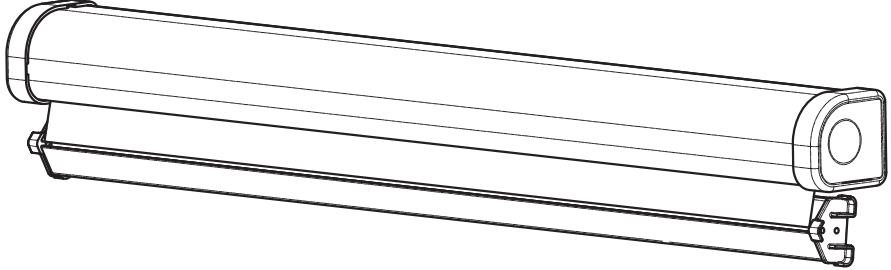
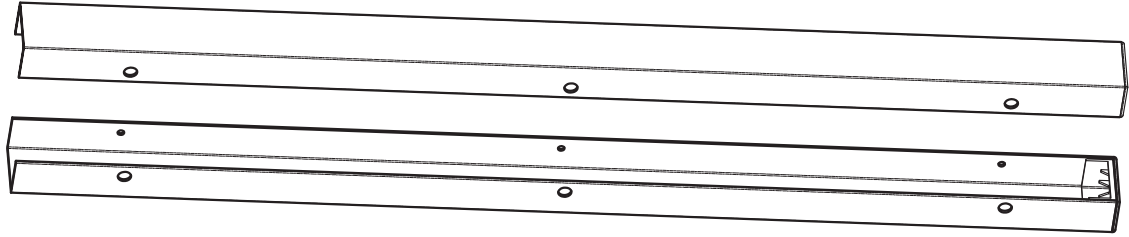

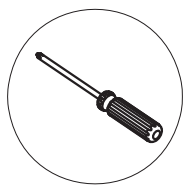


How to Install your QuikLok Blind

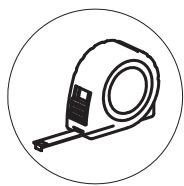
Your pack should consist of the following components:

A Headbox and Blind			× 1
B Side Channels			× 2
C Top Mount Bracket	D Mounting Bracket	Fixing Screws and Masonry Plugs	× 10
F Mounting Screws	G Hole Plugs		
× 8	× 6		

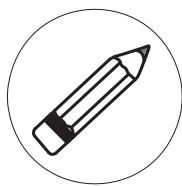
You Will Need:



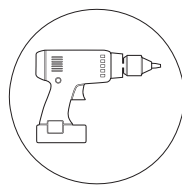
Phillips Head Screw Driver or a Long Shafted Phillips Head Drill Bit



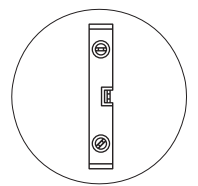
Tape Measure



Pencil



Drill



Level

Installation Instructions:

1. Choose your mount

FACE MOUNT :

This mount is for installing your QuikLok blind to the face of your frame.

- To face mount your blind, you will attach the 2 x Mounting Brackets (D) to the headbox (A) with 4 x Mounting Screws (F) using the threaded holes on the back of your blind (Fig 1.)
- Hold your blind in the desired mounting position, and mark your fixing points through the Face Mount Brackets (D). Put your blind down and pre drill these fixing points. Ensure your Blinds is mounted straight by using a level. (Fig 2.)
- Fix your headbox to the wall using 4 x Fixing screws (F-1). If necessary use the masonry plugs (F-2) to firmly secure your blind to the wall.

Fig 1.

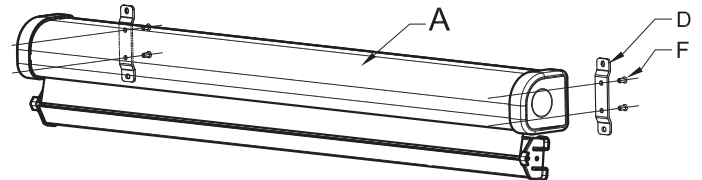
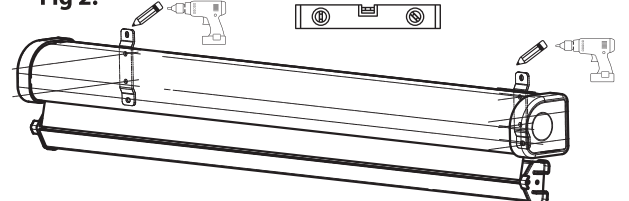


Fig 2.



Installation Instructions:

TOP MOUNT :

This mount is for installing your QuikLok blind to the top of your frame.

1. To top mount your blind, first attach the 2 x Mounting Brackets (D) to the headbox (A) with 4 x Mounting Screws (F) using the threaded holes on the back of your blind (Fig 1.)
2. Your Top Mounting Brackets (C) will need to be fixed to your frame before attaching them to the Mounting Brackets (D). Align them in the desired mounting position for your headbox, making sure they will line up with your mounting brackets (D) on the headbox when fixed. Ensure your Headbox will be straight when installed by checking with a level.
3. Mark the fixing points, pre drill holes (G), and fix your Top Mounting Brackets to the frame using 4 x Fixing screws (F-1). If necessary use the masonry plugs (F-2) to firmly secure your blind to the wall. (Fig 2.)
4. Mount your headbox by using 4 x Mounting Screws (F) to attach the 2 x Mounting Brackets (D) to the installed 2 x Top Mounting Brackets (C). (Fig 3.)

Fig 1.

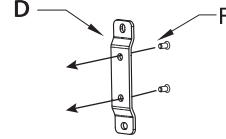


Fig 2.

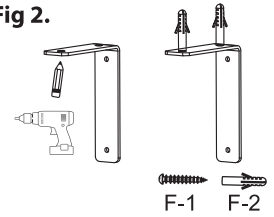
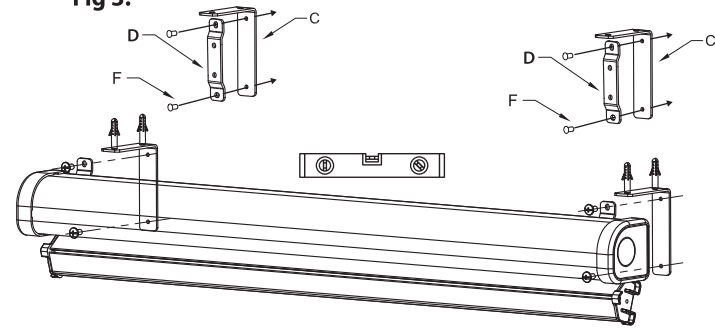


Fig 3.



Fixing the Channels to the Wall:

1. Ensure your wall channels are positioned correctly. Wall Channels must be flush inline with the end of the headbox and inline with the blind. Use a level to make sure your channels are positioned straight down the wall. (Fig 1.)
2. You can fix the channels to the wall through the side fixing points or the back fixing points. To match with your face or top mount of the head box. (Fig 2.)
3. Mark the position of your fixing points using a pencil and then pre drill fixing holes. (Fig 3.)
4. Make sure you have the correct channel on the correct side, the end cap should be at the bottom.
4. To fix your channel to the wall use 3 x Fixing screws (F-1), to the attach to the fixing points. If necessary use the Masonry plugs (F-2) to firmly secure your channel to the wall. (Fig 4.)
5. Plug any unused holes with the included hole plugs (G). (Fig 5.)

Fig 1.

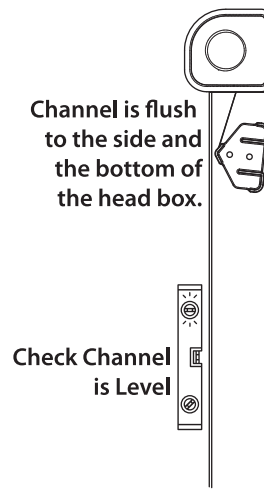


Fig 2.

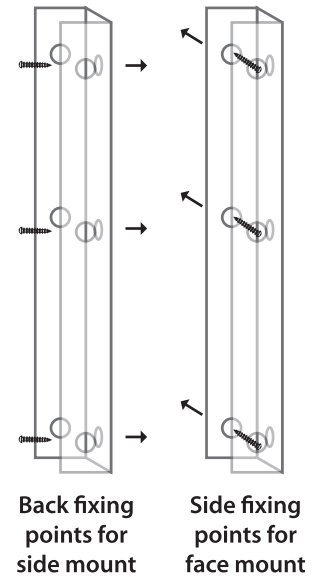


Fig 3.

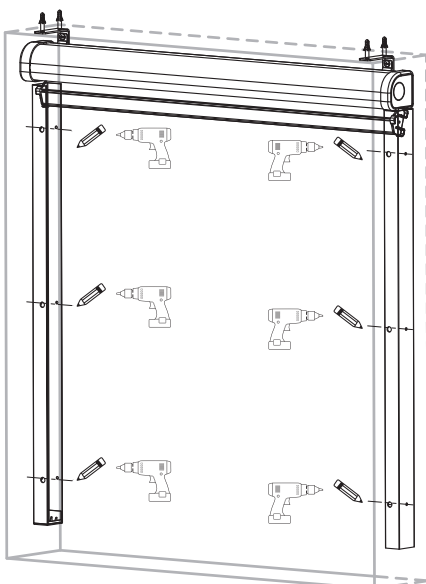


Fig 4.

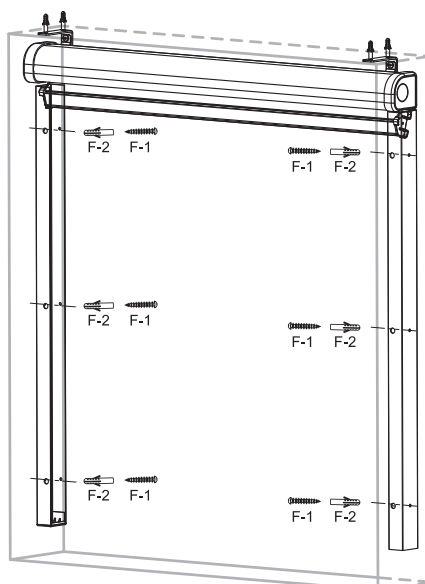


Fig 5.

